

## HPS - SINGLE ACTING LOW HEIGHT PAD CYLINDERS

B



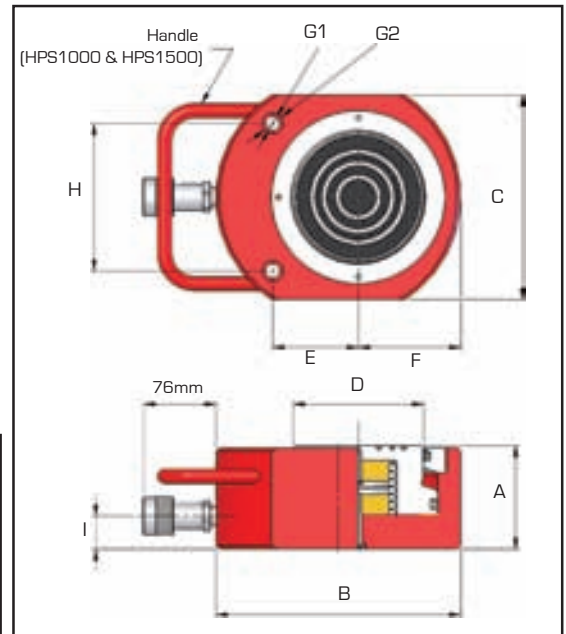
Capacities from 4.5 to 147 tonnes

Stroke lengths from 6 to 16mm

Working pressure 700 Bar

The HPS pad cylinder range offers the best capacity, closed height and stroke length combination, spring assisted return cylinders in the industry. Ideally suited for applications where a low closed height and maximum possible stroke is of prime importance, these highly versatile cylinders are extensively used for maintenance, structural weld positioning, rigging, flange separating and many other applications.

- >> Single acting, spring assisted return
- >> Nitrocarburised piston rod
- >> Low friction bearing surfaces
- >> Anti-extrusion seals



Model number	Capacity tonnes	Stroke mm	Oil cap. cm <sup>3</sup>	Cyl. eff. area cm <sup>2</sup>	Weight kg
<b>HPS50</b>	4.5	6	4	6.4	0.8
<b>HPS51</b>	4.5	16	10	6.4	0.9
<b>HPS100</b>	10	10	14	14.4	1.6
<b>HPS200</b>	20	11	31	28.6	2.6
<b>HPS300</b>	32	12	55	45.6	4.2
<b>HPS500</b>	50	15	107	71.3	6.6
<b>HPS750</b>	73	16	164	102.7	10.4
<b>HPS1000</b>	109	16	245	153.4	23.2
<b>HPS1500</b>	147	16	330	206.2	28.5

Dimensions in mm									
A	B	C	D	E	F	G1	G2	H	I
32	60	38	24	20	19	5.6	9.75	26	19
42	60	38	24	20	19	5.6	9.75	26	19
46	81	56	38	34	28	6.8	11.25	37	19
52	100	76	51	40	39	8.8	14.25	50	19
59	115	95	60	46	48	8.8	14.25	52	19
67	140	114	70	54	60	10.8	17.25	67	20
81	165	140	82	67	70	13.0	19.00	76	21
91	215	180	114	75	90	12.8	19.00	130	29
100	215	191	114	83	95	13.0	19.00	117	29