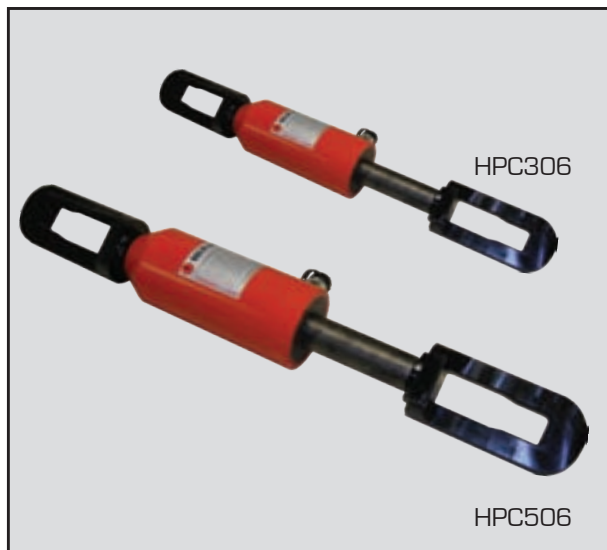


HPC - SINGLE ACTING PULL CYLINDERS



Working pressure 700 Bar

Capacities from 10 to 50 tonnes

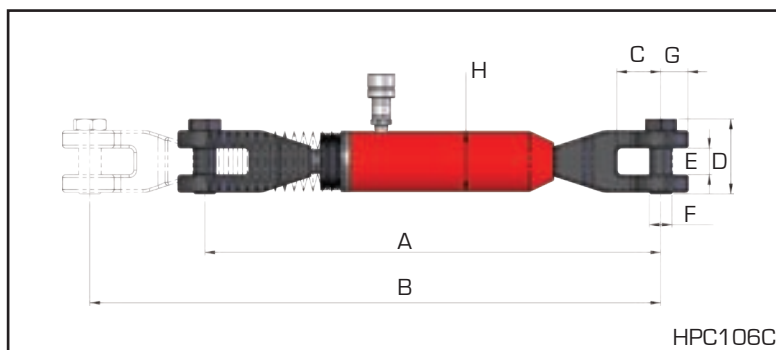
Stroke length 152mm



Hand and powered pumps suitable for use with HPC range pull cylinders are detailed on pages 27 to 48.

The HPC pull cylinder range comprises of four models, with capacities ranging from 10 tonnes to 50 tonnes of pulling force. All models are 700 Bar maximum working pressure and feature a single acting, spring assisted return piston, with a 152mm stroke length. Fitted with easily replaceable machined pulling eyes on the piston rod and cylinder base, the 10 tonnes capacity version can also be supplied with clevis eye attachments. Typical applications for HPC pull cylinders are plate alignment prior to welding in shipyards, cable tensioning and heavy load moving using chains or wire ropes.

- >> Spring assisted return
- >> Surface treated piston rod
- >> Replaceable pulling and clevis eyes
- >> Piston wiper prevents contamination

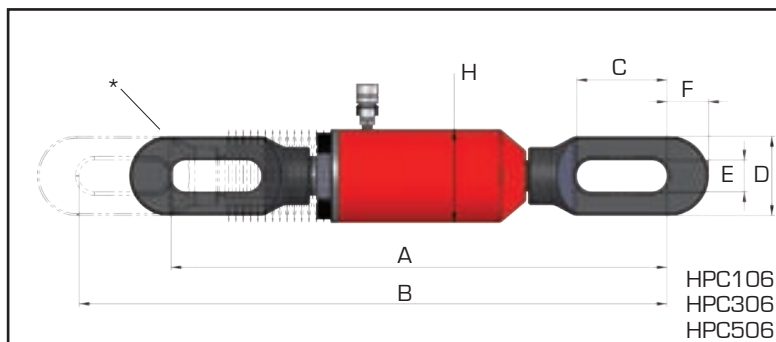


HPC106C

Protective bellows are available as optional extra



HPC106 c/w bellows



HPC106
HPC306
HPC506

* Eye bolt thickness: HPC106 = 22mm, HPC306 = 35mm, HPC506 = 40mm

| Model number | Capacity tonnes | Stroke mm | Oil cap. cm ³ | Cyl. eff. area cm ² | Weight kg |
|----------------|-----------------|-----------|--------------------------|--------------------------------|-----------|
| HPC106 | 10 | 152 | 228 | 15.0 | 12.0 |
| HPC106C | 10 | 152 | 228 | 15.0 | 15.5 |
| HPC306 | 30 | 152 | 636 | 41.8 | 31.0 |
| HPC506 | 50 | 152 | 1078 | 71.0 | 54.0 |

| Dimensions in mm | | | | | | | |
|------------------|-----|-----|-----|----|----|----|-----|
| A | B | C | D | E | F | G | H |
| 600 | 752 | 114 | 67 | 32 | 33 | - | 80 |
| 602 | 754 | 58 | 99 | 35 | 30 | 36 | 80 |
| 695 | 847 | 145 | 105 | 42 | 50 | - | 122 |
| 819 | 971 | 149 | 130 | 52 | 69 | - | 153 |