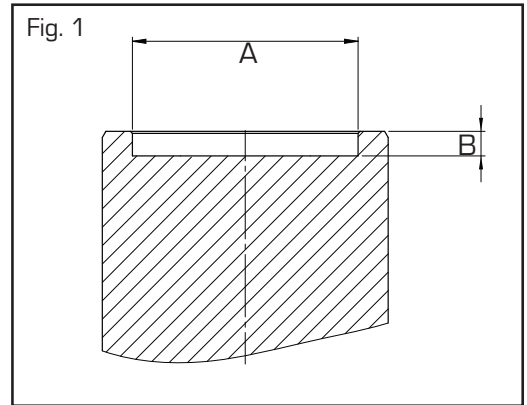


PISTON ROD THREAD SPECIFICATIONS

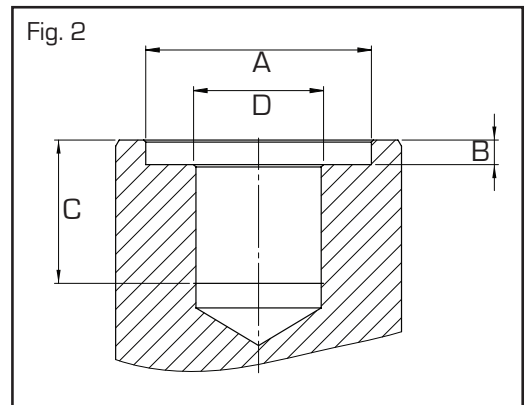
HSS Cylinder Range

Cylinder Range	Figure	Dimensions in mm			Thread Size
		A	B	C	
HSS5	3	-	-	20	¾"-16UNF
HSS10	3	-	-	14	1"-8UNC
HSS15	3	-	-	14	1"-8UNC
HSS25	3	-	-	30	1½"-16UN
HSS30	3	-	-	30	1½"-16UN
HSS50	1	70	11.0	-	-
HSS75	1	80	12.0	-	-
HSS100	1	100	12.0	-	-



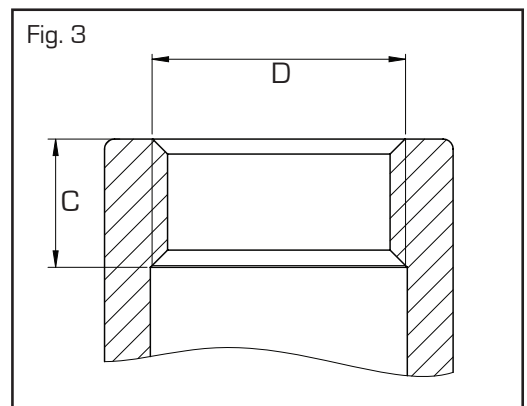
HAS Cylinder Range

Cylinder Range	Figure	Dimensions in mm			Thread Size
		A	B	C	
HAS30	1	50	10.0	-	-
HAS50	1	70	11.0	-	-
HAS100	1	100	12.0	-	-



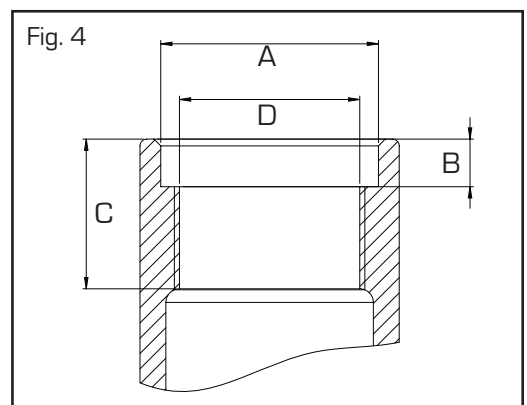
HHS Cylinder Range

Cylinder Range	Figure	Dimensions in mm			Thread Size
		A	B	C	
HHS11	4	32	7.0	21	M28x1.5
HHS23	4	43	10.0	31	M39x1.5
HHS33	4	52	10.0	31	M48x1.5
HHS61	4	80	10.0	31	M70x1.5
HHS102	4	114	12.0	38	M105x2



HHR Cylinder Range

Cylinder Range	Figure	Dimensions in mm			Thread Size
		A	B	C	
HHR33	4	52	10.0	32	M48x1.5
HHR61	4	80	10.0	32	M70x1.5
HHR102	4	114	12.0	38	M105x2
HHR1508	4	170	13.5	50	M150x3
HHR2508	4	242	13.5	74	M220x3



HDA Cylinder Range

Cylinder Range	Figure	Dimensions in mm			Thread Size
		A	B	C	
HDA25	2	45	9.0	35	1"-12UNF
HDA50	2	70	11.0	45	1"-12UNF
HDA100	2	100	12.0	55	1¾"-12UNF
HDA150	2	100	12.0	52	3¾"-16UN
HDA200	2	110	12.0	70	2½"-12UN
HDA300	1	150	25.0	-	-
HDA400	1	180	25.0	-	-
HDA500	1	180	25.0	-	-