



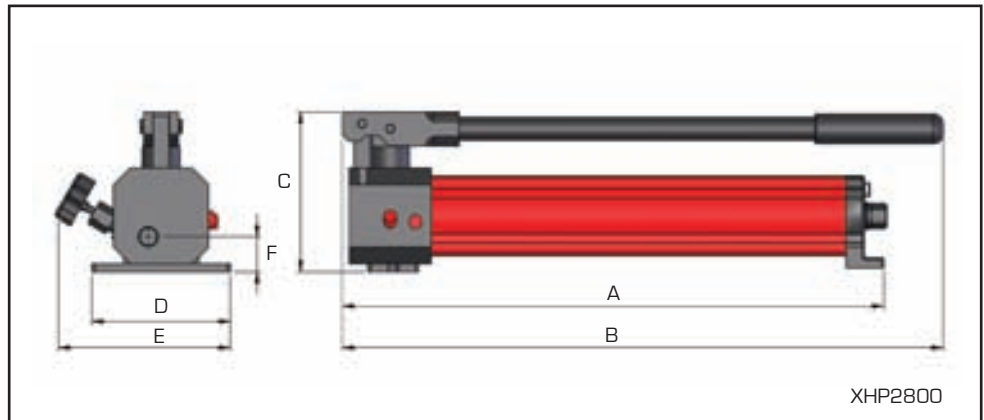
Compact design

Two speed operation

Working pressure up to 2800 Bar

- >> Lightweight aluminium construction
- >> Factory set safety relief valve
- >> External pressure release valve
- >> Low handle effort
- >> XHP1500 includes gauge as standard, optional gauge kit for XHP2800.

The XHP range of manually operated ultra high pressure hydraulic pumps is suitable for use in a wide range of high pressure applications, such as oil injection for bushing removal, valve testing, calibration work, laboratory burst and proof testing, etc. The two speed operation, with automatic changeover from low to high pressure at 14 Bar, provides easy and low handle effort operation. The XHP1500 features an integrated gauge as standard, the optional gauge kit for the XHP 2800 includes a three metre long high pressure hose with swivel fittings on both ends. Both gauges provide accurate and reliable pressure readings.



Pump specification :

Model number	Working pressure bar	Usable oil capacity litres	Displacement per stroke (cm ³)		Outlet port	Weight kg	Pump only Dimensions in mm					
			1 st stage	2 nd stage			A	B	C	D	E	F
XHP1500	1500	0.7	20.0	1.00	¼" BSP	7.0	575	620	170	84	110	90
XHP2800	2800	1.0	14.0	0.65	¾"-16 UNF	6.9	548	620	157	140	170	36

Optional gauge kit (for XHP2800 only) :

Model number	Inner scale reading PSI	Outer scale reading Bar	Inlet port	Outlet port	Weight kg	Pump incl. gauge kit Dimensions in mm					
						A	B	C	D	E	F
XHP2800GK	0-45000	0-3000	9/16"-18 UNF	9/16"-18 UNF	1.5	548	738	237	140	170	36

Supplied including adaptor to fit ¾"-16 UNF pump outlet port and 3m hose assembly with swivel fittings on both ends