



Working pressure 700 Bar

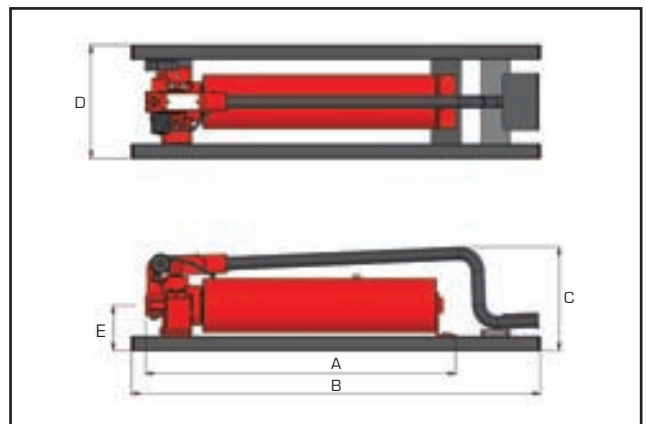
Two stage operation

Complete with accessories

C

The HP227FPC manually operated foot pump is supplied complete with 100mm diameter pressure gauge, gauge mounting block and 3 metre length hydraulic hose with CM1 quick connect male coupler. Ideally suited for use with Hi-Force CH series crimper heads (see pages 123 & 124) and all other Hi-Force 700 Bar maximum working pressure, hydraulic tools that require a remote pump operation, the HP227FPC has a superb two speed low pressure displacement (12.9 cm³ per stroke) with automatic changeover to high pressure displacement (2.3 cm³ per stroke) up to 700 Bar. Supplied with a pre-filled oil reservoir offering a usable oil capacity of 2.3 litres, the HP227FPC is supplied ready for immediate use.

The HP227FP pump incorporates the same specification and features of the HP227FPC pump however is supplied without the pressure gauge, gauge mounting block and 3 metre hose assembly.



Model number	Valve type	Displacement per stroke cm ³		Usable oil cap. litres	Handle effort kg	Material	Weight kg
		1 st stage	2 nd stage				
HP227FPC	2-way	12.9	2.3	2.3	39	Steel	14.5
HP227FP	2-way	12.9	2.3	2.3	39	Steel	12.5

Dimensions in mm				
A	B	C	D	E
544	763	227	200	78
544	715	185	200	78