



Working pressure 700 Bar

Choice of valve options

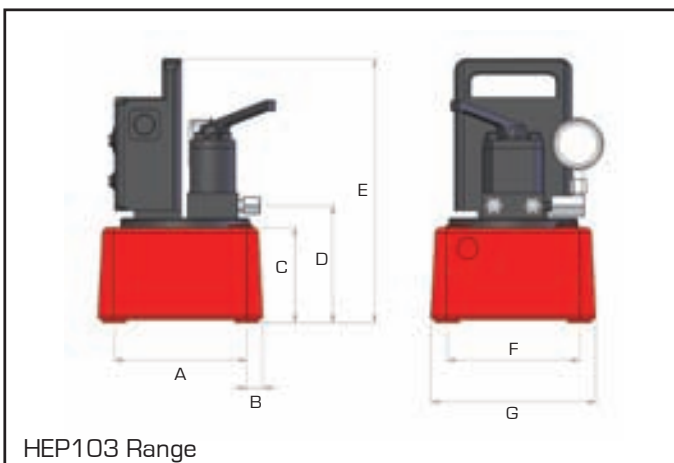
Compact, lightweight & powerful

- >> Integral carrying handle
- >> Pressure gauge and remote control fitted as standard
- >> Suitable for single and double acting cylinders and hydraulic tools
- >> All models are fitted with dual frequency (50/60 Hz) motor



Did you know

Hi-Force manufactures powered pumps with flow rates up to 17 litres per minute in low pressure and 2 litres per minute up to 700 Bar. See pages 39 to 41 for more details



All models	Dimensions in mm
A	170.0
B	19.0
C	117.5
D	141.5
E	342.0
F	170.0
G	212.0