



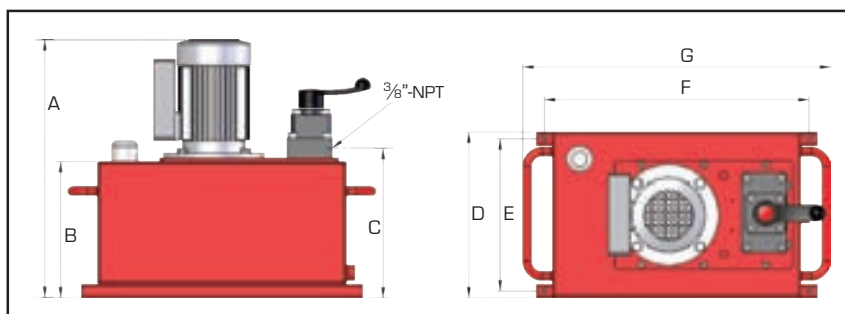
Low pressure flow rate 17 ltr/min up to 70 Bar

High pressure flow rate 2 ltr/min up to 700 Bar

Two stage hydraulic pump unit

C

- >> Manual valve with load holding feature fitted as standard
- >> Externally adjustable pressure relief valve
- >> Solenoid valve options available



Model number	Valve type	Oil cap. litres	Motor kW	Motor voltage	Weight kg
HEP517142	P-T Plate	40	2.2	220 / 240	88.5
HEP517144	P-T Plate	40	2.2	380 / 440	88.5
HEP517162	P-T Plate	60	2.2	220 / 240	120.0
HEP517164	P-T Plate	60	2.2	380 / 440	120.0
HEP517242	2-way	40	2.2	220 / 240	89.0
HEP517244	2-way	40	2.2	380 / 440	89.0
HEP517262	2-way	60	2.2	220 / 240	120.0
HEP517264	2-way	60	2.2	380 / 440	120.0
HEP517342	3-way	40	2.2	220 / 240	89.0
HEP517344	3-way	40	2.2	380 / 440	89.0
HEP517362	3-way	60	2.2	220 / 240	120.0
HEP517364	3-way	60	2.2	380 / 440	120.0
HEP517442	4-way	40	2.2	220 / 240	89.0
HEP517444	4-way	40	2.2	380 / 440	89.0
HEP517462	4-way	60	2.2	220 / 240	120.0
HEP517464	4-way	60	2.2	380 / 440	120.0

Dimensions in mm						
A	B	C	D	E	F	G
636	336	368	306	281	490	560
636	336	368	306	281	490	560
657	357	389	406	381	513	583
657	357	389	406	381	513	583
636	336	368	306	281	490	560
636	336	368	306	281	490	560
657	357	389	406	381	513	583
657	357	389	406	381	513	583
636	336	368	306	281	490	560
636	336	368	306	281	490	560
657	357	389	406	381	513	583
657	357	389	406	381	513	583

Note: For optional extras please see page 42