



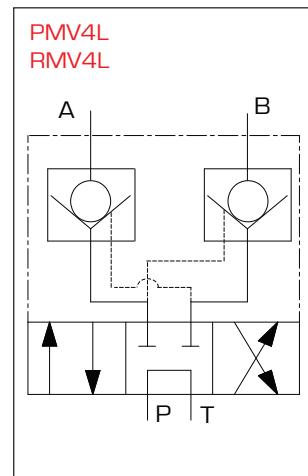
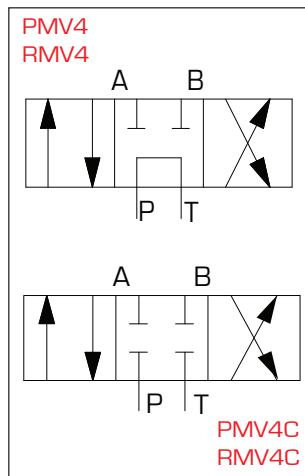
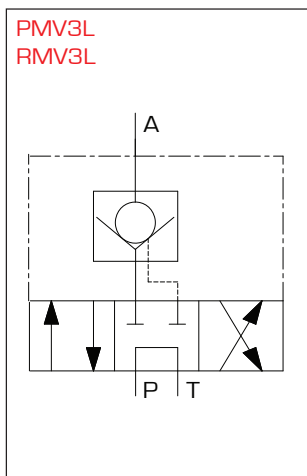
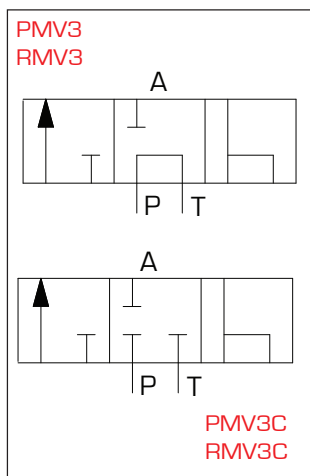
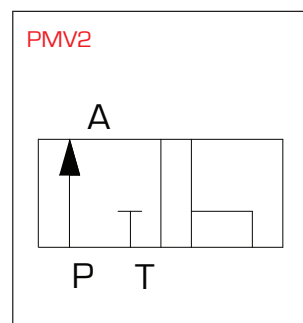
Working pressure 700 Bar

Pump or remote mounted design

Manual or solenoid options available

D

Hi-Force control valves are designed to provide precise control of the hydraulic system either by accurate pressure or directional flow control. The PMV range of pump mounted valves is identical to the valves fitted to the Hi-Force powered pumps featured on pages 39-41, 43-44, 47, 48 and can be easily interchanged, making your powered pump even more versatile. The RMV range allows for remote mounting away from the pump. Always specify Hi-Force control valves for use with your Hi-Force hydraulic tools. Flow control valves are featured on the next page.



Directional control valves :

Description	Model number			
	Manual valve no load holding	Manual valve with load holding	Solenoid valve 24V incl. control	Manual valve closed centre
Pump mounted, 2-way, 2 position valve	PMV2	-	-	-
Pump mounted, 3-way, 3 position valve	PMV3	PMV3L	PMV3S	PMV3C
Pump mounted, 4-way, 3 position valve	PMV4	PMV4L	PMV4S	PMV4C
Remote mounted, 3-way, 3 position valve	RMV3	RMV3L	RMV3S	RMV3C
Remote mounted, 4-way, 3 position valve	RMV4	RMV4L	RMV4S	RMV4C