

## HT - MANUAL TORQUE MULTIPLIERS



Torque capacities up to 4500 Nm

Compact design

Supplied complete with reaction foot

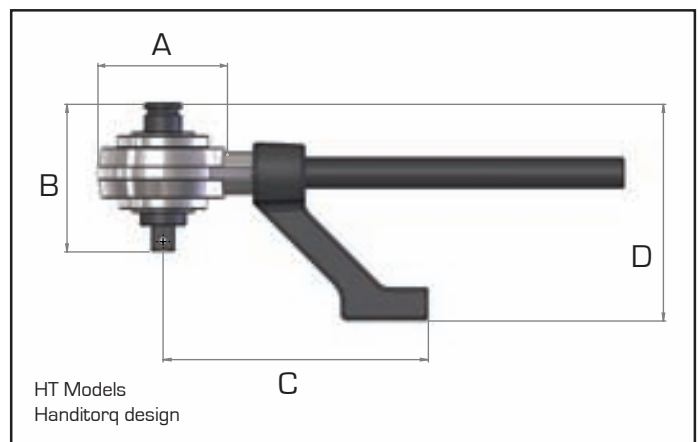
Hi-Force Handitorq (HT range) manual torque multipliers provide a true torque multiplication with repeatable accuracy of +/- 4%. A choice of four models, with output torque capacities of 1300 Nm and 4500 Nm are available, each supplied with two different reaction bar designs for maximum versatility. Supplied in a handy plastic storage case the Handitorq series multiplier is ideal for inclusion in the heavy vehicle tool kit.

F

- >> Compact with true torque multiplication
- >> Output square drives from 3/4" to 1"



See page 64 for detailed specifications of the recommended Hi-Force manual torque wrenches for use with HT multipliers.



Model Number	Maximum torque capacity		Multi- plication ratio	Input square drive	Output square drive	Recom. torque wrench	Weight kg
	Nm	lbf.ft					
<b>HT1300</b>	1300	960	5:1	1/2"	3/4"	<b>HTW330R</b>	5.1
<b>HT2700</b>	2700	2000	5:1	3/4"	1"	<b>HTW800B</b>	5.1
<b>HT3000</b>	3000	2200	15.5:1	1/2"	1"	<b>HTW200R</b>	8.0
<b>HT4500</b>	4500	3300	26:1	1/2"	1"	<b>HTW200R</b>	8.0

Dimensions in mm			
A	B	C	D
108	126	210	180
108	129	210	186
108	156	450	n/a
108	173	450	n/a