

SLT - MANUAL TORQUE MULTIPLIERS



Torque capacities up to 6000 Nm

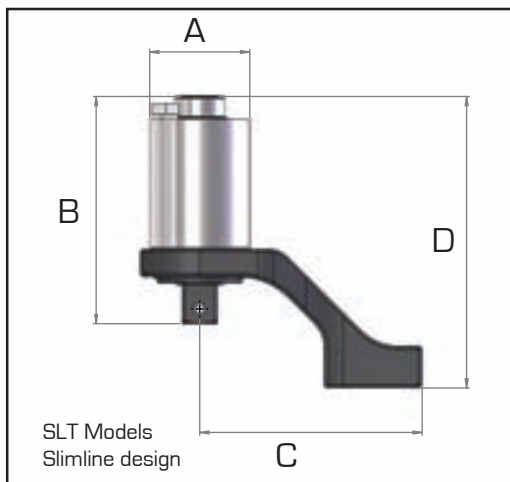
Slimline design

Supplied complete with reaction foot

Hi-Force Slimline (SLT range) manual torque multipliers offer comparable output torque capacities to standard diameter torque multipliers but with the added advantage of a slimline body design, particularly suited for bolt tightening applications on pipeline flanges. The range offers 5 models all with an adjustable spline type reaction foot which allows for various lengths of sockets to be used. All models have an anti-wind up ratchet fitted as standard, which retains all of the wind-up forces as they are created, providing a greater level of safety and ease of operation. Output torque capacities range from 2000 Nm to 6000 Nm with multiplication ratios of 15:1, 25:1 and 75:1 available. Recommended Hi-Force manual torque wrenches for use with Hi-Force manual torque multipliers are detailed on page 64 of this catalogue.

F

- >> Compact with true torque multiplication
- >> Output square drives from 1" to 1½"
- >> Anti-wind up ratchet



Model Number	Maximum torque capacity Nm	Maximum torque capacity lbf.ft	Multi- plication ratio	Input square drive	Output square drive	Recom. torque wrench	Weight kg
SLT20-25	2000	1450	25:1	½"	1"	HTW200R	4.5
SLT30-15	3000	2200	15:1	½"	1"	HTW200R	9.0
SLT30-25	3000	2200	25:1	½"	1"	HTW200R	9.0
SLT60-25	6000	4400	25:1	½"	1½"	HTW330R	15.0
SLT60-75	6000	4400	75:1	½"	1½"	HTW200R	16.5

Dimensions in mm			
A	B	C	D
72	166	143	197
108	224	141	256-285
108	224	141	256-285
119	271	154	320-351
119	301	154	350-380