

Torque capacities up to 9500 Nm

Heavy duty design

Supplied complete with reaction foot

The Hi-Force HDT range of heavy duty manual torque multipliers is available in a choice of 6 models with output capacities from 1700 to 9500 Nm and multiplication ratios of 25:1 and 125:1. All models are fitted with an anti-wind up ratchet, retaining all of the wind-up forces as they are created, providing a greater level of safety and ease of operation. Models HDT17-25 and HDT34-25 are fitted as standard with a flat type reaction foot as pictured above, all other models feature a box type reaction foot with special reaction plates available up on request.

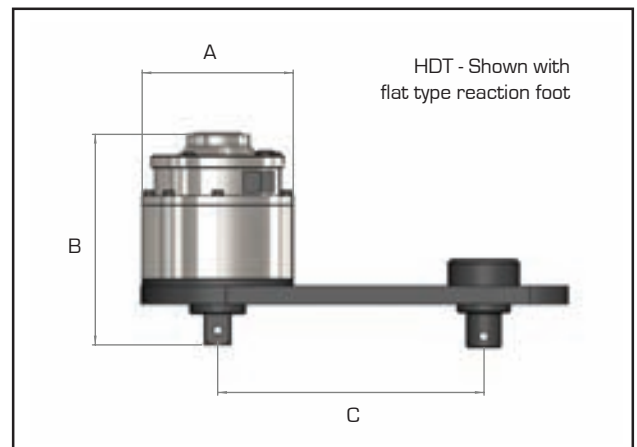


F



See page 64 for detailed specifications of the recommended Hi-Force manual torque wrenches for use with HDT multipliers.

- >> Compact with true torque multiplication
- >> Output square drives 1" and 1 1/2"
- >> Anti-wind up ratchet on all models



Model number	Maximum torque capacity		Multiplication ratio	Input square drive	Output square drive	Recom. torque wrench	Weight kg
	Nm	lbf.ft					
HDT17-25	1700	1250	25:1	1/2"	1"	HTW200R	7.8
HDT34-25	3400	2500	25:1	1/2"	1"	HTW200R	10.1
HDT60-25	6000	4400	25:1	1/2"	1 1/2"	HTW330R	17.0
HDT95-25	9500	7000	25:1	3/4"	1 1/2"	HTW400R	25.7

Dimensions in mm		
A	B	C
108	156	83-217
119	187	86-264
144	226	146-333
184	209	171-351